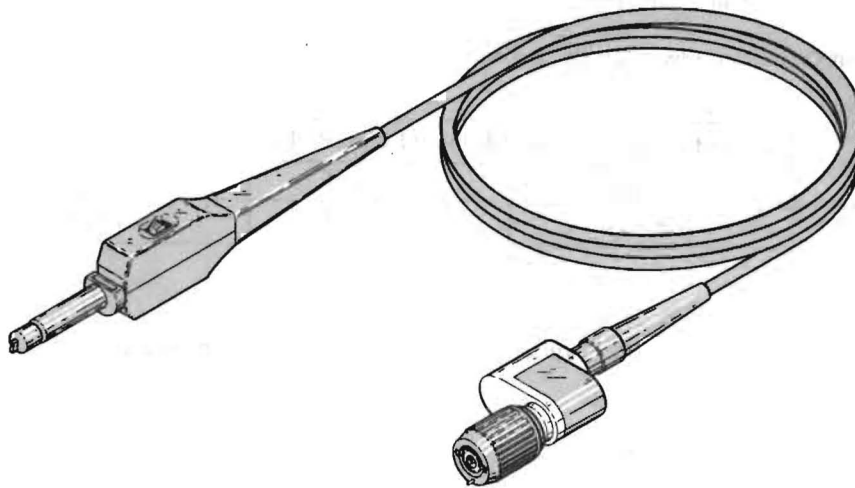


P6062B PASSIVE PROBE

010 6062 15



The P6062B Probe is a passive probe with 1X or 10X selectable attenuation for use with dc to 105 MHz oscilloscopes having an input capacitance range of 15-47 pF and an input resistance of 1M Ω .

The attenuation (1X or 10X) is selected by a slide switch, on the probe body, that also has the capability of changing the volts/division readout circuitry in readout oscilloscopes to include the attenuation ratio of the probe.

A ground reference push button on the body of the probe permits the user to obtain a ground reference with either 1X or 10X attenuation. This feature can also be used to identify which trace of a multitrace display reflects the signal from the probe.

Adjustable frequency compensation is provided in the compensation box to match the probe to the oscilloscope input.

The P6062B Probe is available in three lengths: 3.5 foot (1.1 meter), 6 foot (1.8 meter) and 9 foot (2.7 meter). All probe lengths terminate in a compensation box with BNC connector. The BNC connector is compatible with both readout and non-readout oscilloscopes.

SPECIFICATIONS

ELECTRICAL

Attenuation: 1X position; same as oscilloscope specification.
10X position; within 3% (oscilloscope input 1 MΩ within 2%).

Input Resistance: 1X position; same as oscilloscope specification.
10X position; 10 MΩ within 0.5% (oscilloscope input, 1 MΩ within 2%).

Approximate Input Capacitance (with probe connected and compensated in 10X position):

	3.5 foot (1.1 m) Probe	6 foot (1.8 m) Probe	9 foot (2.7 m) Probe
1X	100 pF	105 pF	135 pF
10X	13.5 pF	14 pF	17 pF

Input Impedance: See Fig. 1 and 2. Typical parallel reactance (Xp) and resistance (Rp) vs. frequency.

Compensation Range: 15 pF to 47 pF.

Minimum Bandwidth (-3 dB) with probe compensated in 10X position:

	3.5 foot (1.1 m) Probe	6 foot (1.8 m) Probe	9 foot (2.7 m) Probe
1X	8 MHz	6 MHz	4.5 MHz
10X	*100 MHz	*100 MHz	*95 MHz

*When used with 466 Oscilloscope with bandwidth \geq 105 MHz.

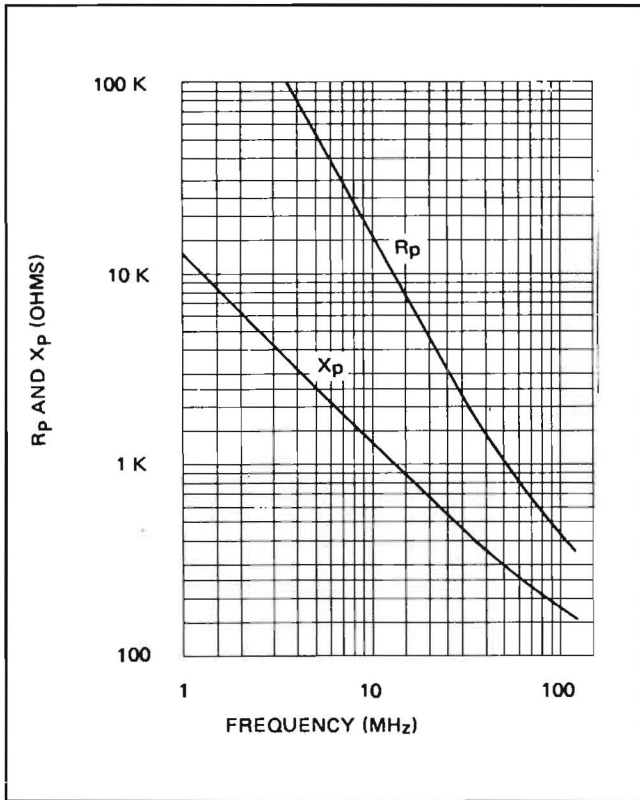


Fig. 1 Typical parallel reactance (X_p) and resistance (R_p) vs. frequency for 3.5 foot (1.06 meter) and 6 foot (1.8 meter) probe.

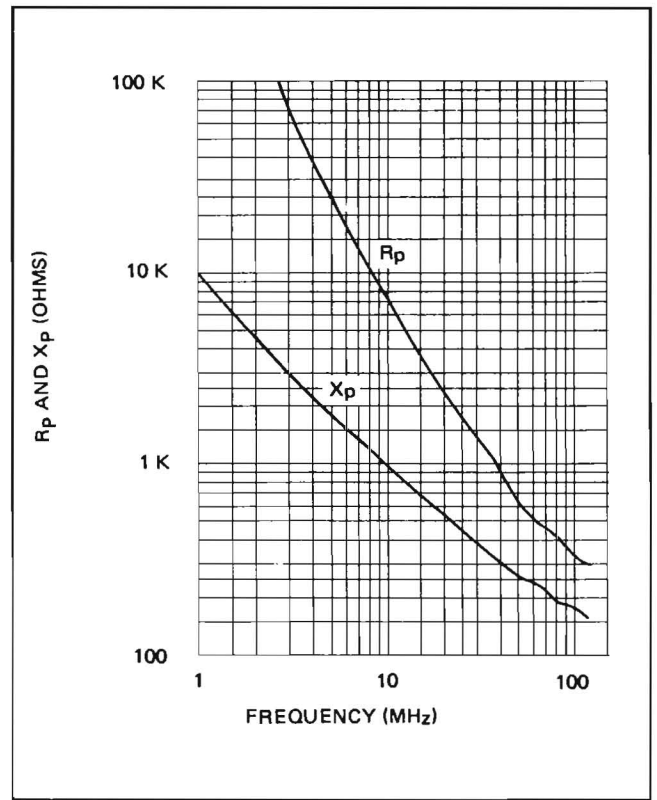


Fig. 2 Typical parallel reactance (X_p) and resistance (R_p) vs. frequency for 9 foot (2.7 meter) probe.

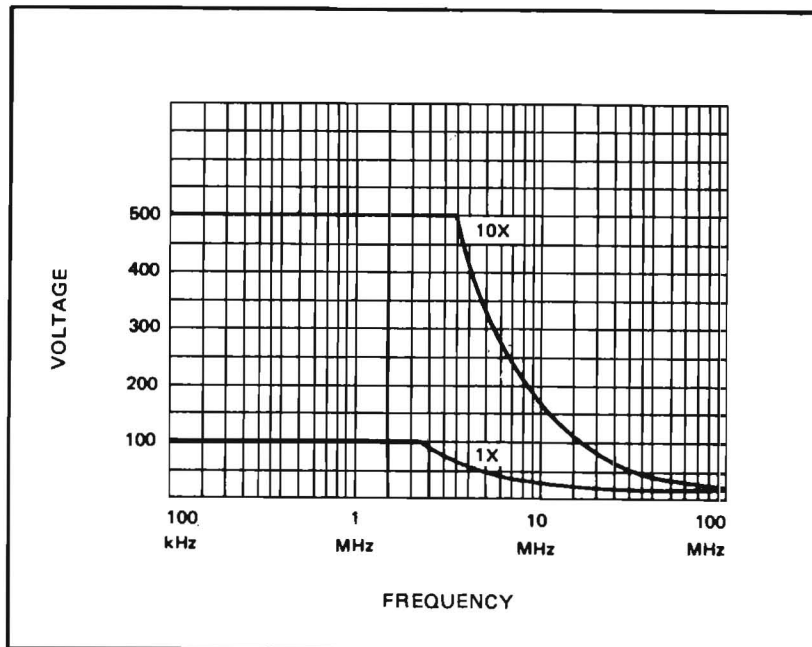


Fig. 3 Input voltage vs. frequency.

P6062B PROBE

Maximum Input Voltage (see Fig. 3):

1X position; 100 V (dc + peak ac) to 450 kHz derated to 35 V at 10 MHz.

10X position; 500 V (dc + peak ac) to 3.5 MHz derated to 25 V at 100 MHz.

ENVIRONMENTAL

Operating Ranges (probe operated within specifications over the following ranges):

Temperature: -15°C ($+5^{\circ}\text{F}$) to $+75^{\circ}\text{C}$ ($+167^{\circ}\text{F}$).

Altitude: To 4572 meters (15,000 feet).

PHYSICAL

Net Weight (including accessories):

3.5 foot (1.1 m) Probe: 128 grams (4.5 oz.).

6 foot (1.8 m) Probe: 142 grams (5.0 oz.).

9 foot (2.7 m) Probe: 156 grams (5.5 oz.).

OPERATING CONSIDERATIONS

CIRCUIT LOADING

1X Switch Position:

This position loads a circuit more than the 10X position. The test point will see the oscilloscope input impedance ($1\text{ M}\Omega$ and 15 to 47 pF) paralleled by the capacitance of the probe cable and compensation network.

10X Switch Position:

Although the probe dc input resistance is $10\text{ M}\Omega$, it can load a high-impedance circuit and distort the test signal. Therefore, when possible, select low-impedance test points. Also, as signal frequency increases, probe input impedance decreases, which increases the loading effect of the probe (see Fig. 1, 2, and 3).

PROBE GROUNDING

A passive probe is a capacitive divider for high-frequency components. Inductance introduced by a long signal or ground lead will form a series resonant circuit that will "ring" if driven by a signal containing significant frequency components at or above circuit resonance. These oscillations can appear on the oscilloscope display and distort the true waveform. Ground leads and probe tip connections should be kept as short as possible to maintain the best fidelity.

GROUND REFERENCE

When the Ground Reference push button switch is pressed with the slide switch in the 1X or 10X attenuation position, the test signal is grounded through the probe $9\text{ M}\Omega$ resistor.

PROBE COMPENSATION

Due to slight variations in the input capacitance between oscilloscope input amplifiers (even of the same type), it is usually necessary to compensate the probe whenever it is transferred from one instrument to another, or from one channel to another for dual (multitrace) units.

PROCEDURE

1. Make sure probe attenuation switch is in 10X position.
2. Touch probe tip to oscilloscope calibrator output connector and display several cycles of calibrator square wave at approximately 4 divisions in amplitude. (Use a 1 kHz square wave generator from alternate source if calibrator output is not available on oscilloscope.)
3. Adjust probe compensation for optimum flat top on display (see Fig. 4).

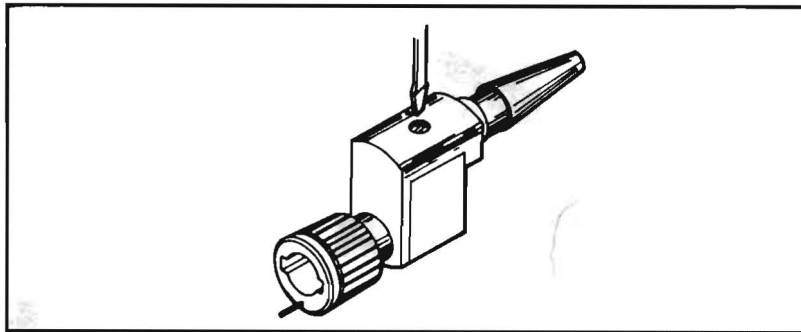


Fig. 4 Compensation adjustment location.

MAINTENANCE

WARNING

To avoid shock, do not disassemble probe when connected to voltage source. Only qualified service personnel should use the following service instructions. Unless you are qualified to do so, perform no servicing except that contained in the preceding operating instructions.

The P6062B Probe is designed to withstand normal operation and handling. However, if the probe assembly fails or breaks, replacement parts are available. See Replacement Parts List for part numbers.

Replacing Units of a Probe Assembly (see Fig. 5): If the coaxial cable, probe head, compensation box or connector should fail, new assemblies for each may be installed. When replacing these assemblies, make sure to use the proper probe head and/or compensation box for cable length.

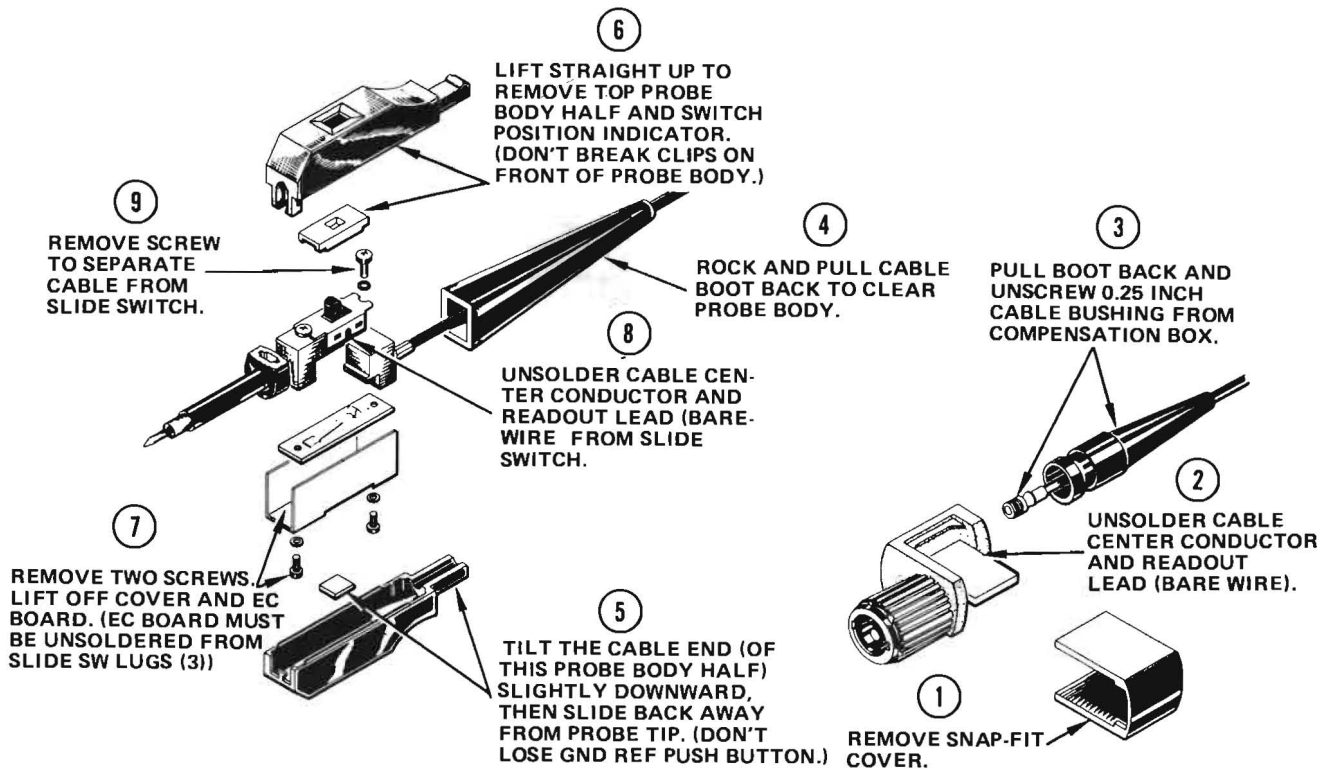
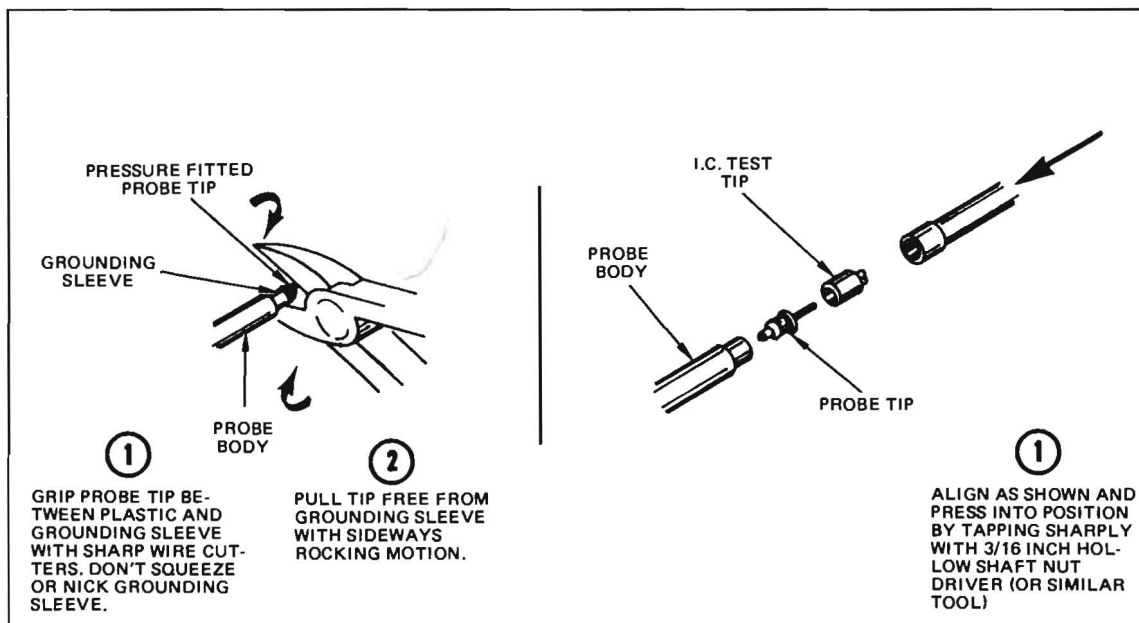


Fig. 5 Replacing units of a probe assembly.

PROBE TIP REMOVAL AND REPLACEMENT



REPLACEABLE PARTS

PARTS ORDERING INFORMATION

Replacement parts are available from or through your local Tektronix, Inc. Field Office or representative.

Changes to Tektronix instruments are sometimes made to accommodate improved components as they become available, and to give you the benefit of the latest circuit improvements developed in our engineering department. It is therefore important, when ordering parts, to include the following information in your order: Part number, instrument type or number, serial number, and modification number if applicable.

If a part you have ordered has been replaced with a new or improved part, your local Tektronix, Inc. Field Office or representative will contact you concerning any change in part number.

Change information, if any, is located at the rear of this manual.

SPECIAL NOTES AND SYMBOLS

- X000 Part first added at this serial number
- 00X Part removed after this serial number

FIGURE AND INDEX NUMBERS

Items in this section are referenced by figure and index numbers to the illustrations.

INDENTATION SYSTEM

This mechanical parts list is indented to indicate item relationships. Following is an example of the indentation system used in the description column.

```

1 2 3 4 5           Name & Description
Assembly and/or Component
Attaching parts for Assembly and/or Component
    --- * ---
Detail Part of Assembly and/or Component
Attaching parts for Detail Part
    --- * ---
Parts of Detail Part
Attaching parts for Parts of Detail Part
    --- * ---
    
```

Attaching Parts always appear in the same indentation as the item it mounts, while the detail parts are indented to the right. Indented items are part of, and included with, the next higher indentation. The separation symbol --- * --- indicates the end of attaching parts.

Attaching parts must be purchased separately, unless otherwise specified.

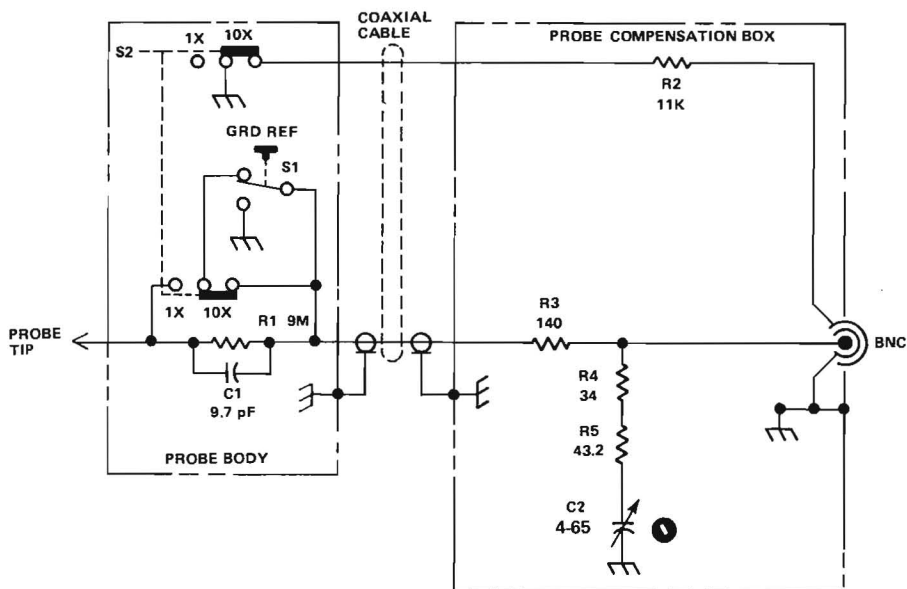
ITEM NAME

In the Parts List, an Item Name is separated from the description by a colon (:). Because of space limitations, an Item Name may sometimes appear as incomplete. For further Item Name identification, the U.S. Federal Cataloging Handbook H6-1 can be utilized where possible.

ABBREVIATIONS

"	INCH	ELCTRN	ELECTRON	IN	INCH	SE	SINGLE END
#	NUMBER SIZE	ELEC	ELECTRICAL	INCAND	INCANDESCENT	SECT	SECTION
ACTR	ACTUATOR	ELCTLT	ELECTROLYTIC	INSUL	INSULATOR	SEMICOND	SEMICONDUCTOR
ADPTR	ADAPTER	ELEM	ELEMENT	INTL	INTERNAL	SHLD	SHIELD
ALIGN	ALIGNMENT	EPL	ELECTRICAL PARTS LIST	LPHLDR	LAMPHOLDER	SHLDR	SHOULDERED
AL	ALUMINUM	EQPT	EQUIPMENT	MACH	MACHINE	SKT	SOCKET
ASSEM	ASSEMBLED	EXT	EXTERNAL	MECH	MECHANICAL	SL	SLIDE
ASSY	ASSEMBLY	FIL	FILLISTER HEAD	MTG	MOUNTING	SLFLKG	SELF-LOCKING
ATTEN	ATTENUATOR	FLEX	FLEXIBLE	NIP	NIPPLE	SLVG	SLEEVING
AWG	AMERICAN WIRE GAGE	FLH	FLAT HEAD	NON WIRE	NOT WIRE WOUND	SPR	SPRING
BD	BOARD	FLTR	FILTER	OBD	ORDER BY DESCRIPTION	SQ	SQUARE
BRKT	BRACKET	FR	FRAME or FRONT	OD	OUTSIDE DIAMETER	SST	STAINLESS STEEL
BRS	BRASS	FSTNR	FASTENER	OVH	OVAL HEAD	STL	STEEL
BRZ	BRONZE	FT	FOOT	PH BRZ	PHOSPHOR BRONZE	SW	SWITCH
BSHG	BUSHING	FXD	FIXED	PL	PLAIN or PLATE	T	TUBE
CAB	CABINET	GSKT	GASKET	PLSTC	PLASTIC	TERM	TERMINAL
CAP	CAPACITOR	HDL	HANDLE	PN	PART NUMBER	THD	THREAD
CER	CERAMIC	HEX	HEXAGON	PNH	PAN HEAD	THK	THICK
CHAS	CHASSIS	HEX HD	HEXAGONAL HEAD	PWR	POWER	TNSN	TENSION
CKT	CIRCUIT	HEX SOC	HEXAGONAL SOCKET	RCPT	RECEPTACLE	TPG	TAPPING
COMP	COMPOSITION	HLCPS	HELICAL COMPRESSION	RES	RESISTOR	TRH	TRUSS HEAD
CONN	CONNECTOR	HLEXT	HELICAL EXTENSION	RGD	RIGID	V	VOLTAGE
COV	COVER	HV	HIGH VOLTAGE	RLF	RELIEF	VAR	VARIABLE
CPLG	COUPLING	IC	INTEGRATED CIRCUIT	RTNR	RETAINER	W/	WITH
CRT	CATHODE RAY TUBE	ID	INSIDE DIAMETER	SCH	SOCKET HEAD	WSHR	WASHER
DEG	DEGREE	IDENT	IDENTIFICATION	SCOPE	OSCILLOSCOPE	XFMR	TRANSFORMER
DWR	DRAWER	IMPLR	IMPELLER	SCR	SCREW	XSTR	TRANSISTOR

3.5 FOOT PROBE SCHEMATIC DIAGRAM

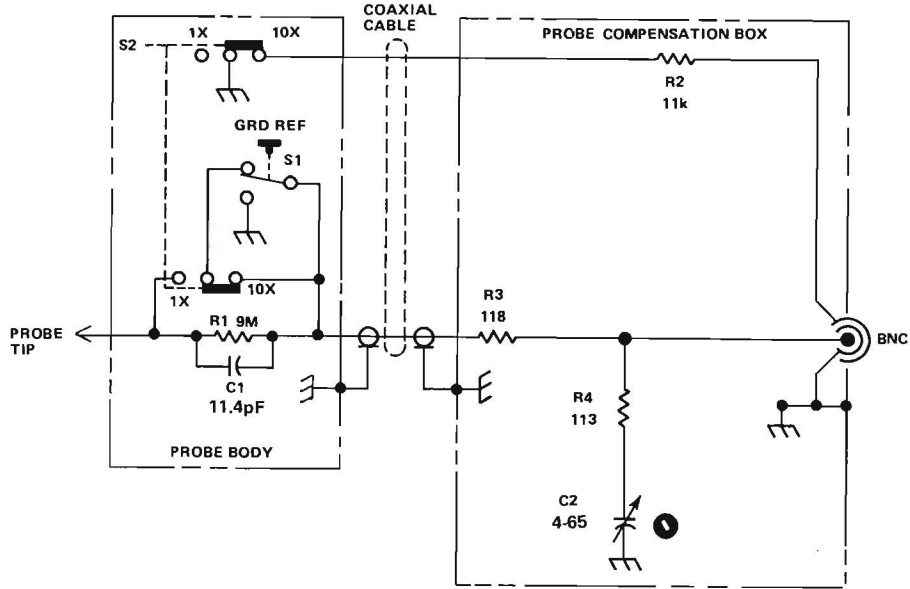


3.5 FOOT PROBE ELECTRICAL PARTS LIST

Ckt No.	Tektronix Part No.	Serial/Model No. Eff	Dscont	Name & Description	Mfr Code	Mfr Part Number
C1	-----	-----		CAP., FXD, CER DI: 9.7PF, +/-0.1PF, 500V		
C1	-----	-----		(AVAILABLE AS ASSEMBLY 206-0213-00 ONLY)		
C2	281-0205-00			CAP., VAR, PLSTC: 4-65PF, 100V	80031	2810C5R565QJ02F0
R1	-----	-----		RES., FXD, FILM: 9M OHM, 0.1%, 0.25W		
R1	-----	-----		(AVAILABLE AS ASSEMBLY 206-0213-00 ONLY)		
R2	317-0113-00			RES., FXD, CMPSN: 11K OHM, 5%, 0.125W	01121	BB1135
R3	322-0111-00			RES., FXD, FILM: 140 OHM, 1%, 0.25W	91637	MFF1421G140R0F
R4	321-0052-00			RES., FXD, FILM: 34 OHM, 1%, 0.125W	91637	MFF1816G34R00F
R5	321-0062-00			RES., FXD, FILM: 43.2 OHM, 1%, 0.125W	91637	MFF1816G43R20F

P6062B PROBE

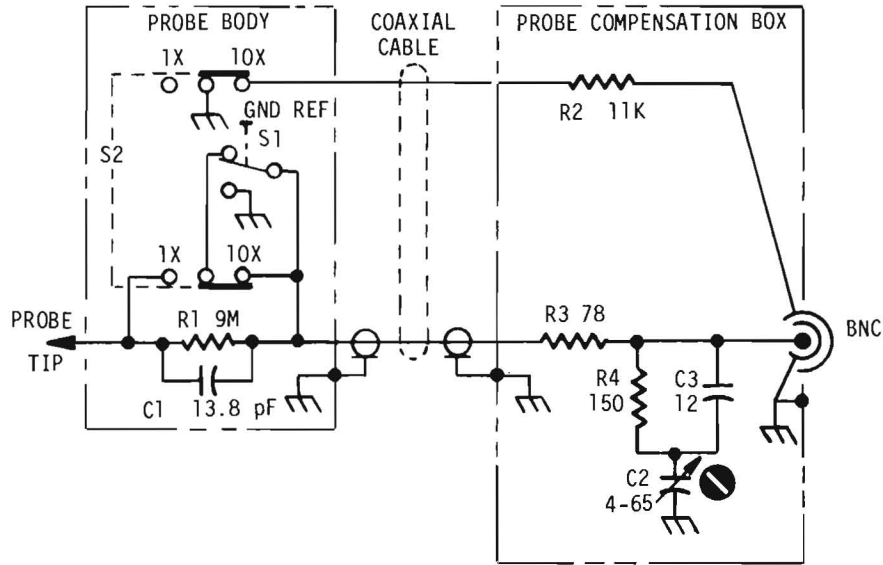
6 FOOT PROBE SCHEMATIC DIAGRAM



6 FOOT PROBE ELECTRICAL PARTS LIST

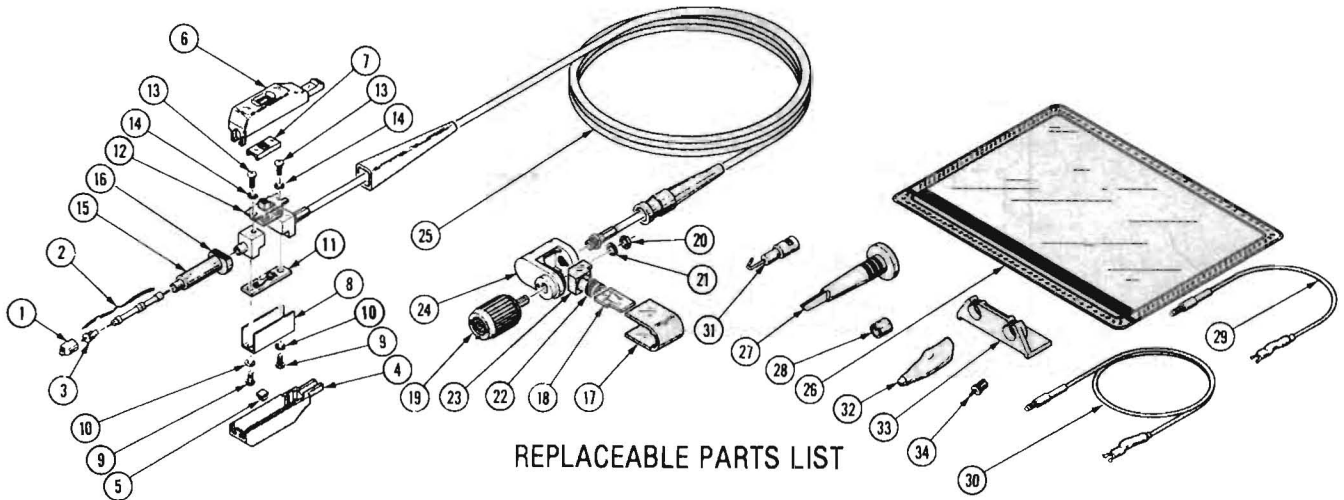
Ckt No.	Tektronix Part No.	Serial/Model No. Eff	Dscont	Name & Description	Mfr Code	Mfr Part Number
C1	-----	-----		CAP., FXD, CER DI: 11.4PF, 1%, 500V		
C1	-----	-----		(AVAILABLE AS ASSEMBLY 206-0212-01 ONLY)		
C2	281-0205-00			CAP., VAR, PLSTC: 4-65PF, 100V	80031	2810C5R565QJ02F0
R1	-----	-----		RES., FXD, FILM: 9M OHM, 0.1%, 0.25W		
R1	-----	-----		(AVAILABLE AS ASSEMBLY 206-0212-01 ONLY)		
R2	317-0113-00			RES., FXD, CMPSN: 11K OHM, 5%, 0.125W	01121	BB1135
R3	322-0104-00			RES., FXD, FILM: 118 OHM, 1%, 0.25W	91637	MFF1421G118ROF
R4	322-0102-00			RES., FXD, FILM: 113 OHM, 1%, 0.25W	91637	MFF1421G113ROF

9 FOOT PROBE SCHEMATIC DIAGRAM



Ckt No.	Tektronix Part No.	Serial/Model No. Eff	Dscont	Name & Description	Mfr Code	Mfr Part Number
C1	-----	-----		CAP., FXD, CER DI: 13.8PF, 1%, 500V		
C1	-----	-----		(AVAILABLE AS ASSEMBLY 206-0211-00 ONLY)		
C2	281-0205-00			CAP., VAR, PLSTC: 4-65PF, 100V	80031	2810C5R565QJ02F0
C3	283-0168-00			CAP., FXD, CER DI: 12PF, 5%, 100V	72982	8101B121C0G0120J
R1	-----	-----		RES., FXD, FILM: 9M OHM, 0.1%, 0.25W		
R1	-----	-----		(AVAILABLE AS ASSEMBLY 206-0211-00 ONLY)		
R2	317-0113-00			RES., FXD, CMPSN: 11K OHM, 5%, 0.125W	01121	BB1135
R3	322-0688-00			RES., FXD, FILM: 78 OHM, 1%, 0.25W, TC=TO	24546	NA60D78R0F
R4	322-0114-00			RES., FXD, FILM: 150 OHM, 1%, 0.25W	75042	CEBT0-1500F

P6062B PROBE



REPLACEABLE PARTS LIST

Fig. & Index No.	Tektronix Part No.	Serial/Model No. Eff	Dscont	Qty	1	2	3	4	5	Name & Description	Mfr Code	Mfr Part Number
3.5 FOOT PROBE												
	010-6062-11			1						LEAD,TEST:42.0 L,W/ACCESSORIES	80009	010-6062-11
	010-6062-10			1						. LEAD,TEST:42.0 L	80009	010-6062-10
-1	-----			1						. . . TIP,TEST PROD:IC TEST		
	-----			-						. . . (AVAILABLE IN PACKS OF 10, PART NUMBER		
	-----			-						. . . 015-0201-04 OR PARCKS OF 100, PART		
	-----			-						. . . NUMBER 015-0201-05.)		
-2	206-0213-00			1						. . . ATTEN SUBASSY:1X-10X	80009	206-0213-00
-3	-----			1						. . . TIP,TEST PROD:W/BODY		
	-----			-						. . . (AVAILABLE IN PACKS OF 10, PART		
	-----			-						. . . NUMBER 206-0191-03.)		
-4	204-0596-04			1						. . . BODY HALF,PROBE: BOTTOM	80009	204-0596-04
-5	366-1529-01			1						. . . PUSH BUTTON:BLACK	80009	366-1529-01
-6	204-0595-00			1						. . . BODY HALF,PROBE:TOP	80009	204-0595-00
-7	214-2041-00			1						. . . IND,SWITCH POSN:	80009	214-2041-00
-8	337-2380-00			1						. . . SHIELD,ELEC: PROBE	80009	337-2380-00
										(ATTACHING PARTS)		
-9	211-0108-00		7821	2						. . . SCREW,MACHINE:2-56 X 0.156 INCH,PNH STL	83385	OBD
	211-0264-00	7822		2						. . . SCREW,MACHINE:2-56 X 0.156 L,PNH,SST,POZ	83385	OBD
-10	210-0001-00		7821	2						. . . WASHER,LOCK:INTL,0.092 ID X 0.18"OD,STL	78189	1202-00-00-0541C
	210-0080-00	7822		2						. . . WASHER,LOCK:#2 SPLIT,0.015WASHER,LOCK	86928	OBD
										- - - * - - -		
-11	670-4797-00			1						. . . CKT BOARD ASSY:GROUND REFERENCE SWITCH	80009	670-4797-00
-12	260-1470-03			1						. . . SWITCH,SLIDE:DPDT,0.5A,125VAC	80009	260-1470-03
										(ATTACHING PARTS)		
-13	211-0108-00		7821	2						. . . SCREW,MACHINE:2-56 X 0.156 INCH,PNH STL	83385	OBD
	211-0264-00	7822		2						. . . SCREW,MACHINE:2-56 X 0.156 L,PNH,SST,POZ	83385	OBD
-14	210-0001-00		7821	2						. . . WASHER,LOCK:INTL,0.092 ID X 0.18"OD,STL	78189	1202-00-00-0541C
	210-0080-00	7822		2						. . . WASHER,LOCK:#2 SPLIT,0.015WASHER,LOCK	86928	OBD
										- - - * - - -		
-15	204-0598-00			1						. . . BODY,PROBE: INNER REAR	80009	204-0598-00
-16	343-0447-00			1						. . . COLLAR,GND CLIP:0.24 ID X 0.175,ACETAL	80009	343-0447-00
-17	200-1158-14			1						. . . COVER,COMP BOX:	80009	200-1158-14
-18	670-3503-01			1						. . . CKT BOARD ASSY:PROBE	80009	670-3503-01
-19	131-1070-00			1						. . . CONNECTOR,PLUG,:BNC	80009	131-1070-00
										(ATTACHING PARTS)		
-20	220-0572-00			1						. . . NUT,PLAIN,HEX.:10-32 X 0.25 INCH,PL BRS	73743	OBD
-21	210-0056-00			1						. . . WASHER,LOCK:SPLIT,0.195 ID X 0.32" OD,P BRZ	83385	OBD
										- - - * - - -		
-22	-----			1						. . . CAP.,VAR,PLSTC:(SEE C2 EPL)		
-23	352-0381-00			1						. . . RETAINER,CAP.:POLYPROPYLENE	80009	352-0381-00
-24	426-0690-04			1						. . . FRAME,CMPNT BOX:	80009	426-0690-04
-25	175-1499-00			1						. . . CABLE ASSY,RF:50 OHM COAX W/MESS WIRE	80009	175-1499-00

Fig. & Index No.	Tektronix Part No.	Serial/Model No. Eff	Dscont	Qty	1	2	3	4	5	Name & Description	Mfr Code	Mfr Part Number
6 FOOT PROBE												
	010-6062-13			1						LEAD,TEST:72.0 L,W/ACCESSORIES	80009	010-6062-13
	010-6062-12			1						LEAD,TEST:72.0 L	80009	010-6062-12
-1	-----			1						TIP,TEST PROD:IC TEST		
	-----			-						(AVAILABLE IN PACKS OF 10, PART		
	-----			-						NUMBER 015-0201-04 OR PACKS OF 100, PARTS		
	-----			-						NUMBER 015-0201-05.)		
-2	206-0212-01			1						ATTEN SUBASSY:	80009	206-0212-01
-3	-----			1						TIP,TEST PROD:W/BODY		
	-----			-						(AVAILABLE IN PACKS OF 10, PART		
	-----			-						NUMBER 206-0191-03.)		
-4	204-0596-04			1						BODY HALF,PROBE:BOTTOM	80009	204-0596-04
-5	366-1529-01			1						PUSH BUTTON:BLACK	80009	366-1529-01
-6	204-0595-00			1						BODY HALF,PROBE:TOP	80009	204-0595-00
-7	214-2041-00			1						IND,SWITCH POSN:	80009	214-2041-00
-8	337-2380-00			1						SHIELD,ELEC:PROBE	80009	337-2380-00
										(ATTACHING PARTS)		
-9	211-0108-00		7821	2						SCREW,MACHINE:2-56 X 0.156 INCH,PNH STL	83385	OBD
	211-0264-00	7822		2						SCREW,MACHINE:2-56 X 0.156 L,PNH,SST,POZ	83385	OBD
-10	210-0001-00		7821	2						WASHER,LOCK:INTL,0.092 ID X 0.18"OD,STL	78189	1202-00-00-0541C
	210-0080-00	7822		2						WASHER,LOCK:#2 SPLIT,0.015WASHER,LOCK	86928	OBD
										* - - - -		
-11	670-4797-00			1						CKT BOARD ASSY:GROUND REFERENCE SWITCH	80009	670-4797-00
-12	260-1470-03			1						SWITCH,SLIDE:DPDT,0.5A,125VAC	80009	260-1470-03
										(ATTACHING PARTS)		
-13	211-0108-00		7821	2						SCREW,MACHINE:2-56 X 0.156 INCH,PNH STL	83385	OBD
	211-0264-00	7822		2						SCREW,MACHINE:2-56 X 0.156 L,PNH,SST,POZ	83385	OBD
-14	210-0001-00		7821	2						WASHER,LOCK:INTL,0.092 ID X 0.18"OD,STL	78189	1202-00-00-0541C
	210-0080-00	7822		2						WASHER,LOCK:#2 SPLIT,0.015WASHER,LOCK	86928	OBD
										* - - - -		
-15	204-0598-00			1						BODY,PROBE:INNER REAR	80009	204-0598-00
-16	343-0447-00			1						COLLAR,GND CLIP:0.24 ID X 0.175,ACETAL	80009	343-0447-00
-17	200-1158-15			1						COVER,COMP BOX:	80009	200-1158-15
-18	670-3503-01			1						CKT BOARD ASSY:PROBE	80009	670-3503-01
-19	131-1070-00			1						CONNECTOR,PLUG,:BNC	80009	131-1070-00
										(ATTACHING PARTS)		
-20	220-0572-00			1						NUT,PLAIN,HEX.:10-32 X 0.25 INCH,PL BRS	73743	OBD
-21	210-0056-00			1						WASHER,LOCK:SPLIT,0.195 ID X 0.32" OD,P BRZ	83385	OBD
										* - - - -		
-22	-----			1						CAP.,VAR,PLSTC:(C2 EPL)		
-23	352-0381-00			1						RETAINER,CAP.:POLYPROPYLENE	80009	352-0381-00
-24	426-0690-04			1						FRAME,CMPNT BOX:	80009	426-0690-04
-25	175-1507-00			1						CABLE ASSY,ELEC:6 FEET LONG	80009	175-1507-00
9 FOOT PROBE												
	010-6062-15			1						LEAD,TEST:108.0 L,W/ACCESSORIES	80009	010-6062-15
	010-6062-14			1						LEAD,TEST:108.0 L	80009	010-6062-14
-1	-----			1						TIP,TEST PROD:IC TEST		
	-----			-						(AVAILABLE IN PACKS OF 10, PART		
	-----			-						NUMBER 015-0201-04 OR PACKS OF 100, PART		
	-----			-						NUMBER 015-0201-05.)		
-2	206-0211-00			1						ATTEN SUBASSY:1X-10X	80009	206-0211-00
-3	-----			1						TIP,TEST PROD:W/BODY		
	-----			-						(AVAILABLE IN PACKS OF 10, PART		
	-----			-						NUMBER 206-0191-03.)		
-4	204-0596-04			1						BODY HALF,PROBE:BOTTOM	80009	204-0596-04
-5	366-1529-01			1						PUSH BUTTON:BLACK	80009	366-1529-01
-6	204-0595-00			1						BODY HALF,PROBE:TOP	80009	204-0595-00
-7	214-2041-00			1						IND,SWITCH POSN:	80009	214-2041-00
-8	337-2380-00			1						SHIELD,ELEC:PROBE	80009	337-2380-00
										(ATTACHING PARTS)		
-9	211-0108-00		7821	2						SCREW,MACHINE:2-56 X 0.156 INCH,PNH STL	83385	OBD
	211-0264-00	7822		2						SCREW,MACHINE:2-56 X 0.156 L,PNH,SST,POZ	83385	OBD
-10	210-0001-00		7821	1						WASHER,LOCK:INTL,0.092 ID X 0.18"OD,STL	78189	1202-00-00-0541C
	210-0080-00	7822		1						WASHER,LOCK:#2 SPLIT,0.015WASHER,LOCK	86928	OBD
										* - - - -		

P6062B PROBE

Fig. & Index No.	Tektronix Part No.	Serial/Model No. Eff	Dscont	Qty	1	2	3	4	5	Name & Description	Mfr Code	Mfr Part Number
-11	670-4797-00			1	CKT BOARD ASSY:GROUND REFERENCE SWITCH	80009	670-4797-00
-12	260-1470-03			1	SWITCH,SLIDE:DPDT,0.5A,125VAC (ATTACHING PARTS)	80009	260-1470-03
-13	211-0108-00		7821	2	SCREW,MACHINE:2-56 X 0.156 INCH,PNH STL	83385	OBD
	211-0264-00	7822		2	SCREW,MACHINE:2-56 X 0.156 L,PNH,SST,POZ	83385	OBD
-14	210-0001-00		7821	2	WASHER,LOCK:INTL,0.092 ID X 0.18"OD,STL	78189	1202-00-00-0541C
	210-0080-00	7822		2	WASHER,LOCK:#2 SPLIT,0.015WASHER,LOCK - * - - -	86928	OBD
-15	204-0598-00			1	BODY,PROBE:INNER REAR	80009	204-0598-00
-16	343-0447-00			1	COLLAR,GND CLIP:0.24 ID X 0.175,ACETAL	80009	343-0447-00
-17	200-1158-16			1	COVER,COMP BOX:	80009	200-1158-16
-18	670-3503-01			1	CKT BOARD ASSY:PROBE	80009	670-3503-01
-19	131-1070-00			1	CONNECTOR,PLUG,:BNC (ATTACHING PARTS)	80009	131-1070-00
-20	220-0572-00			1	NUT,PLAIN,HEX.:10-32 X 0.25 INCH,PL BRS	73743	OBD
-21	210-0056-00			1	WASHER,LOCK:SPLIT,0.195 ID X 0.32" OD,P BRZ - * - - -	83385	OBD
-22	-----			1	CAP.,VAR,PLSTC:(C2 EPL)		
-23	352-0381-00			1	RETAINER,CAP.:POLYPROPYLENE	80009	352-0381-00
-24	426-0690-04			1	FRAME,CMPNT BOX:	80009	426-0690-04
-25	175-1508-00			1	CABLE ASSY,RF:50 OHM COAX W/MESS WIRE	80009	175-1508-00

STANDARD ACCESSORIES

-26	016-0521-00			1	POUCH,ACCESSORY:	05006	OBD
-27	013-0107-03			1	TIP,TEST PROD:RET HOOK ASSY	80009	013-0107-03
-28	166-0404-01			1	INS SLV,ELEC:FOR 0.188 DIA PROBE BSHG	80009	166-0404-01
-29	175-0124-01			1	LEAD,ELECTRICAL:PROBE GND,5 INCHES LONG	80009	175-0124-01
-30	175-0125-01			1	LEAD,ELECTRICAL:PROBE GND,12 INCHES LONG	80009	175-0125-01
-31	206-0114-00			1	TIP,PROBE:HOOK	80009	206-0114-00
-32	344-0046-00			2	CLIP,ELECTRICAL:ALLIGATOR TYPE,W/COVER	80009	344-0046-00
-33	352-0351-00			1	HOLDER,PROBE:BLACK	80009	352-0351-00
-34	-----			2	TIP,TEST PROD:W/BODY		
	-----			-	(AVAILABLE IN PACKS OF 10, PART NUMBER 206-0191-03)		
	062-1675-00			1	PROBE CARD:	80009	062-1675-00
	062-2927-00			1	DATA SHEET:P6062B	80009	062-2927-00

CROSS INDEX—MFR. CODE NUMBER TO MANUFACTURER

Mfr. Code	Manufacturer	Address	City, State, Zip
05006	TWENTIETH CENTURY PLASTICS, INC.	415 E WASHINGTON BLVD.	LOS ANGELES, CA 90015
73743	FISCHER SPECIAL MFG. CO.	446 MORGAN ST.	CINCINNATI, OH 45206
78189	ILLINOIS TOOL WORKS, INC. SHAKEPROOF DIVISION	ST. CHARLES ROAD	ELGIN, IL 60120
80009	TEKTRONIX, INC.	P O BOX 500	BEAVERTON, OR 97077
83385	CENTRAL SCREW CO.	2530 CRESCENT DR.	BROADVIEW, IL 60153
86928	SEASTROM MFG. COMPANY, INC.	701 SONORA AVENUE	GLENDALE, CA 91201